



High practicability

Durability

Robust design

OUR NEW PLANT IN WIELUŃ

Langendorf quality in series production

What does the name **LANGENDORF** stand for?



- Langendorf has stood for quality, innovation and progress in commercial vehicle construction for over 125 years
- We offer a wide range of technical solutions
- Only top-quality components are used in Langendorf products

The LANGENDORF PRODUCT RANGE

- Tipper semi-trailers
- Tipper bodies
- Glass and concrete inloaders
- Double-decker inloaders
- Low loaders
- Special vehicles



The LANGENDORF PRODUCT RANGE



LANGENDORF GROUP



Langendorf GmbH

Employees: 348

Turnover: EUR 78 million in 2021

Vehicles: 1,500 in 2021



Langendorf Polska Sp. z o.o.



Langendorf Service GmbH

Waltrop



Activity:

- Design
- Distribution
- Manufacture of inloaders and tippers

Employees: 198

Turnover: EUR 56 million

Vehicles: 1,100 per year

Wieluń



Activity:

- Professional component production for the Langendorf Group
- Manufacture of smart-line low loaders
- Manufacture of special chassis for UK

Employees: 87

Turnover: EUR 12 million

Production area: 10,000 qm

Service Waltrop & Thyrow



Activity:

- Repairs and restorations of all kinds
- Paintwork
- Rental vehicles
- Test bench
- Spare parts supply

Employees: 67

Turnover: EUR 10 million

Production area: 5,000 qm

What does the new plant in Wieluń mean **FOR LANGENDORF?**

- With our new plant in Wieluń, we are creating capacities that were previously unavailable due to space limitations in Waltrop
- This new plant will enable us to start making a range of special chassis for our sister company in the UK that is new for Langendorf
- In addition, all Langendorf “smart-line” low loaders are being manufactured in Wieluń

The low loader **HISTORY**

The Langendorf low-loader trailer, which can be driven on from the rear, revolutionised the transport of heavy equipment in 1956. This established another mainstay in Langendorf's history, alongside its high-speed tippers.



What distinguishes smart-line low loaders?



- For all smart-line low loaders, we pay special attention to quality assurance, the use of high-quality attachments and the application of sophisticated technical solutions
- We've invested over € 3 million in plant and machinery:
this is how competitive series standards are created in Wieluń
- We supply smart-line low loaders in pre-configured variations in the best Langendorf series quality

All this guarantees top quality at a top price “Made by Langendorf”.

The smart-line low loader **SATÜ 30 & SATÜV 30**



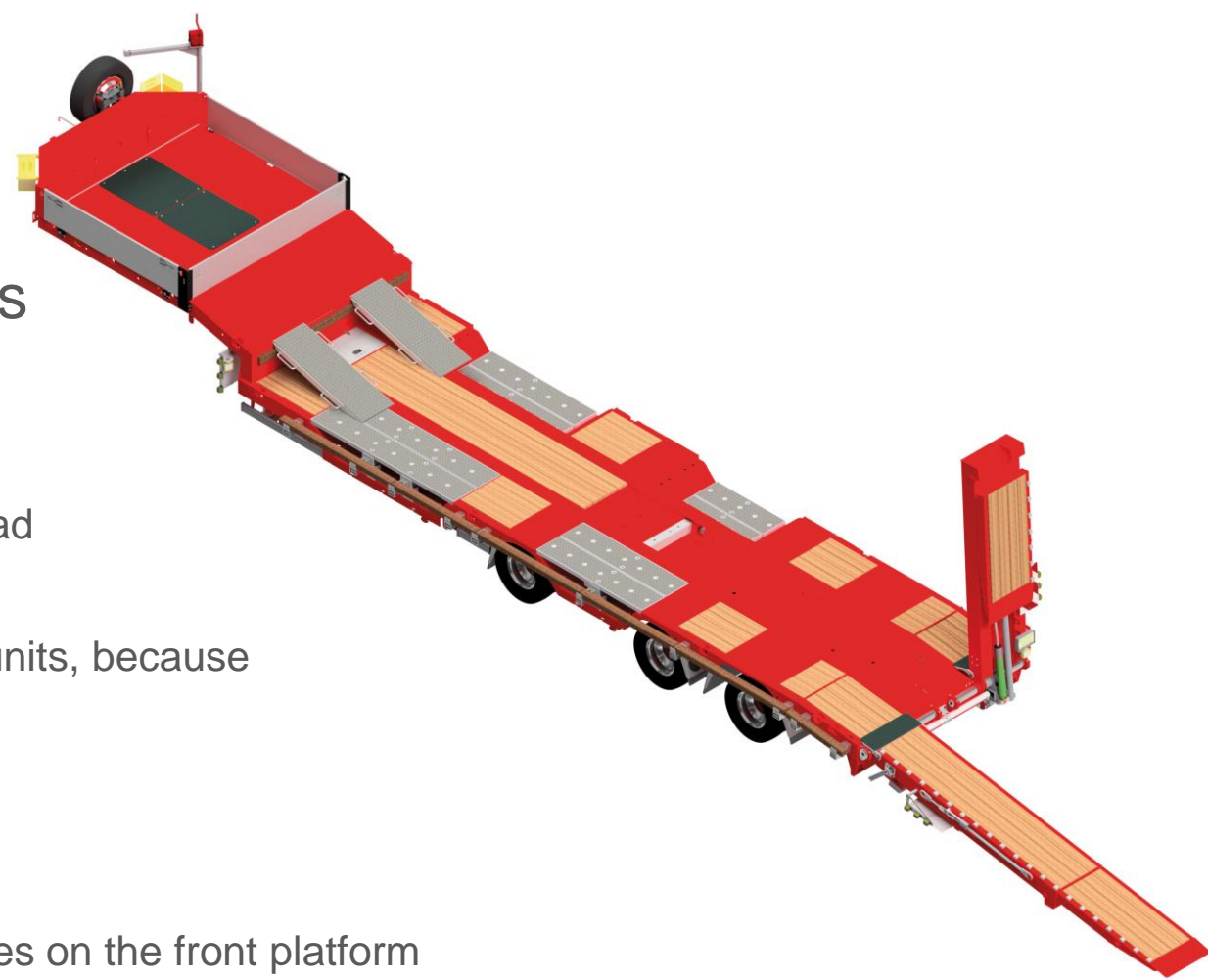
smart-line SATÜ30

- Loading length selectable between 8,550 mm and 9,300 mm
- Lightweight unladen weight enables a payload of up to 38,300 kg
- Suitable for two-axle and three-axle tractor units, because of two king pin positions
- 3 x 10 t SAF axles
- Last axle designed as self-steering axle
- Foldable and removable aluminium drop sides on the front platform
- Loading ramps in both mechanical and hydraulic versions
- Fully LED illuminated



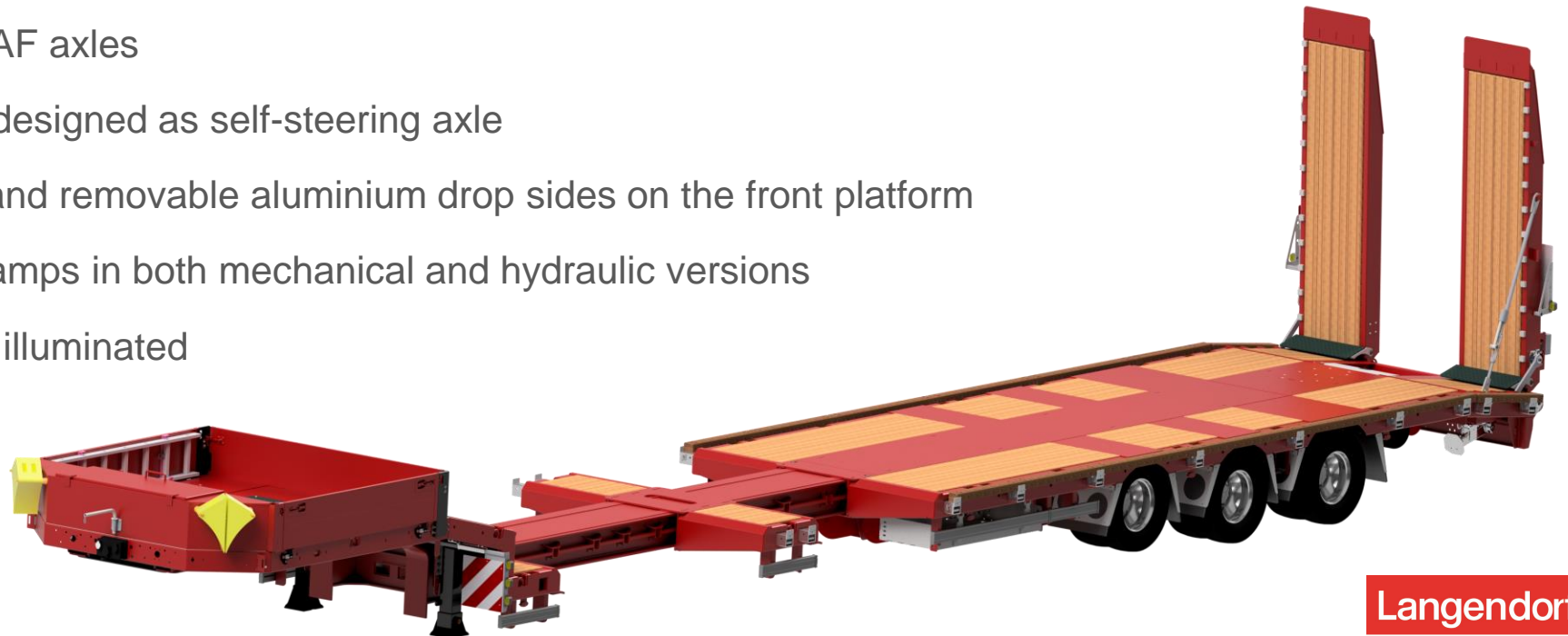
smart-line SATÜ30 with wheel recesses

- Loading length 9,300 mm
- Lightweight unladen weight enables a payload of up to 37,500 kg
- Suitable for two-axle and three-axle tractor units, because of two king pin positions
- 3 x 10 t SAF axles
- Last axle designed as self-steering axle
- Foldable and removable aluminium drop sides on the front platform
- Loading ramps in both mechanical and hydraulic versions
- Fully LED illuminated
- Wheel recesses suitable for a wheel diameter of 1,600 mm, approx. 320 mm deep, for a wheelbase of 2,750 mm to 3,700 mm, up to 26 t incl. wheel recess cover



smart-line SATÜV30

- Telescopic up to a total loading length of 13,550 mm
- Lightweight unladen weight enables a payload of up to 35,500 kg
- Suitable for two-axle and three-axle tractor units, because of two king pin positions
- 3 x 10 t SAF axles
- Last axle designed as self-steering axle
- Foldable and removable aluminium drop sides on the front platform
- Loading ramps in both mechanical and hydraulic versions
- Fully LED illuminated

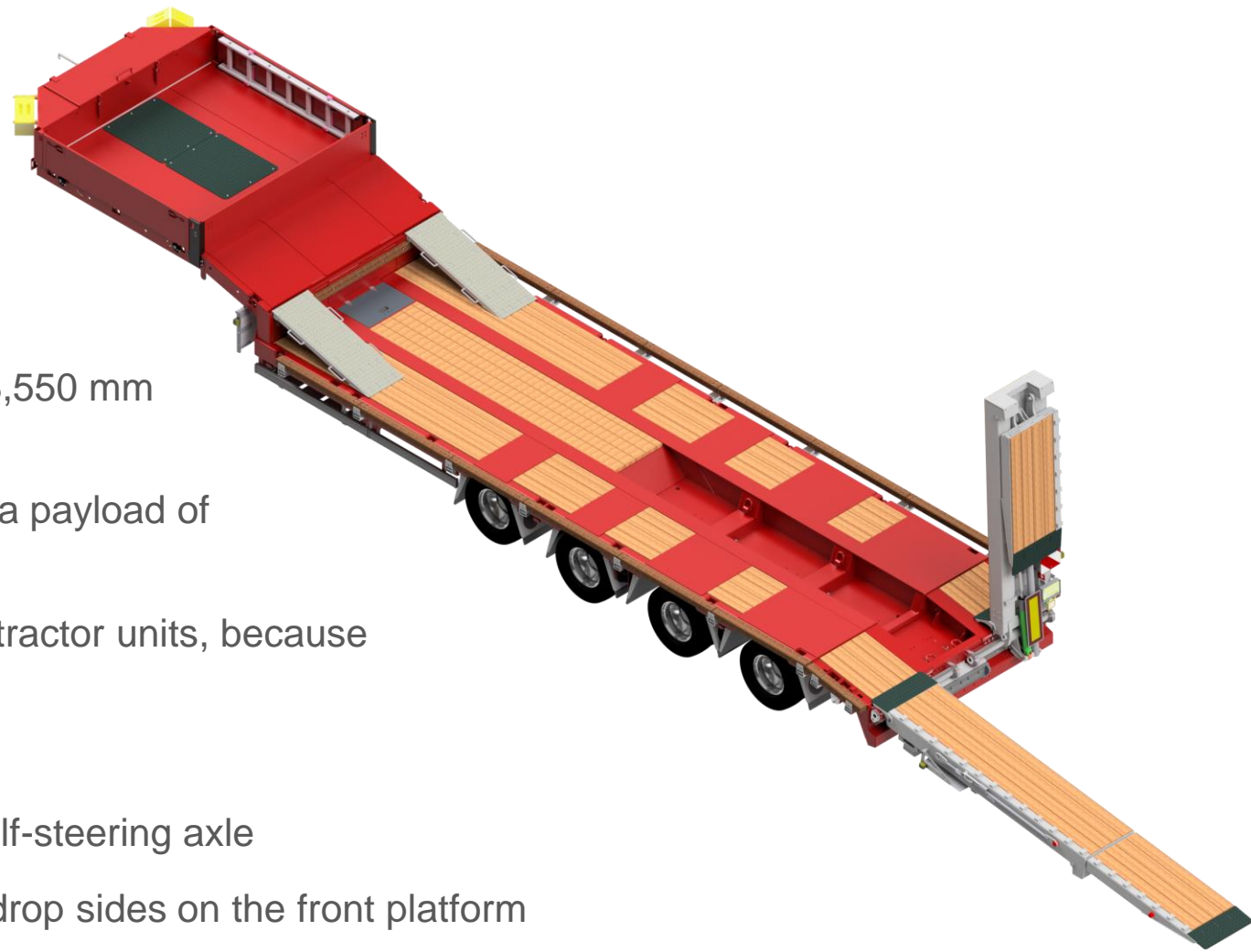


The smart-line low loader **SATÜ 40 & SATÜV 40**



smart-line SATÜ 40

- Loading length selectable between 8,550 mm and 9,300 mm
- Lightweight unladen weight enables a payload of up to 46,700 kg
- Suitable for two-axle and three-axle tractor units, because of two king pin positions
- 4 x 10 t SAF axles
- Third and fourth axle designed as self-steering axle
- Foldable and removable aluminium drop sides on the front platform
- Loading ramps in both mechanical and hydraulic versions
- Fully LED illuminated



smart-line SATÜ 40

- Telescopic up to a total loading length of 13,550 mm
- Lightweight unladen weight enables a payload of up to 44,500 kg
- Suitable for two-axle and three-axle tractor units, because of two king pin positions
- 4 x 10 t SAF axles
- Third and fourth axle designed as self-steering axle
- Foldable and removable aluminium drop sides on the front platform
- Loading ramps in both mechanical and hydraulic versions
- Fully LED illuminated

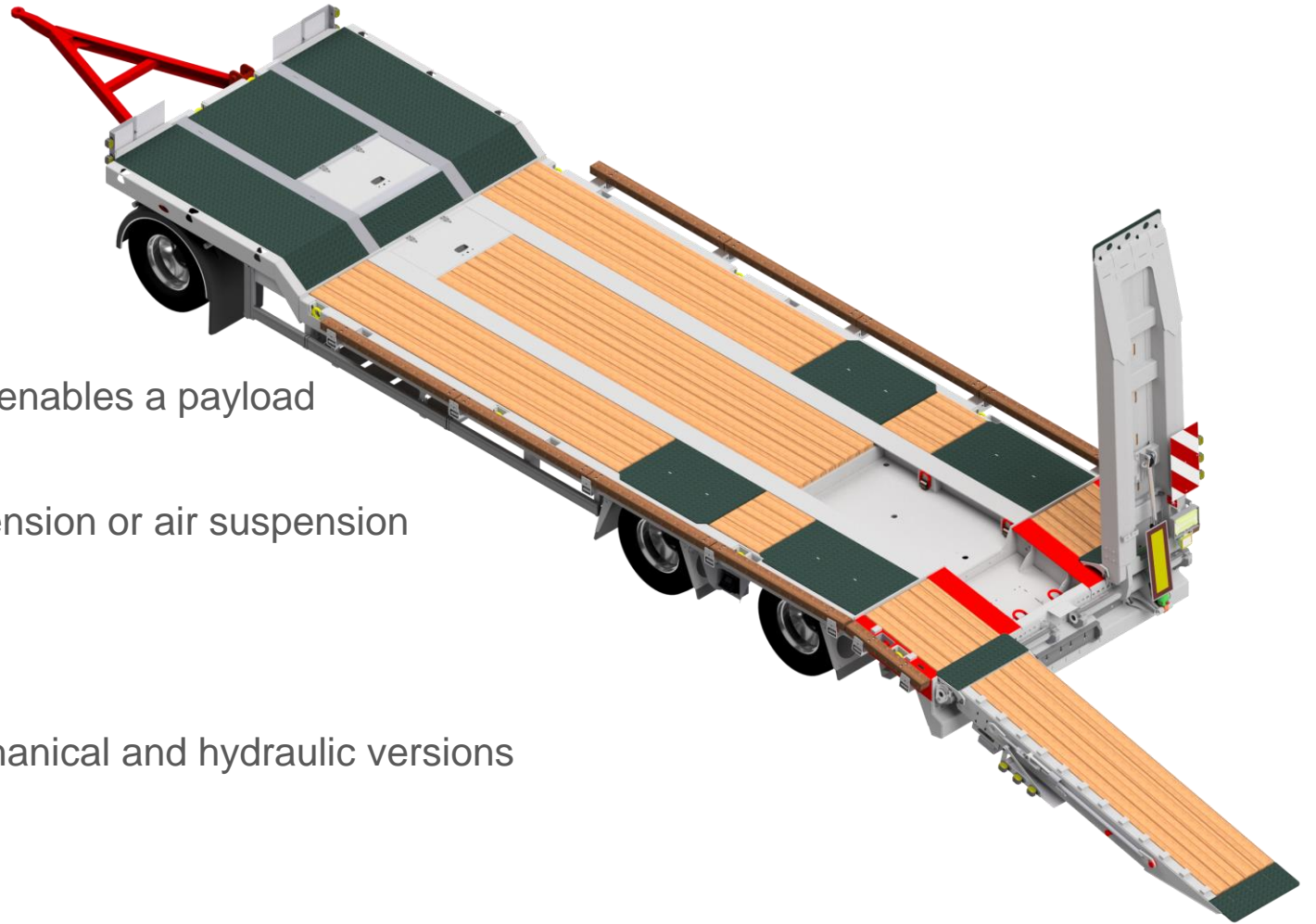


The smart-line low loader TÜ 30



smart-line TÜ 30

- Loading length 6,500 mm
- Lightweight unladen weight enables a payload of up to 23,500 kg
- Choice of mechanical suspension or air suspension
- 3 x 10 t SAF axles
- Suitable drawbar
- Loading ramps in both mechanical and hydraulic versions
- Fully LED illuminated

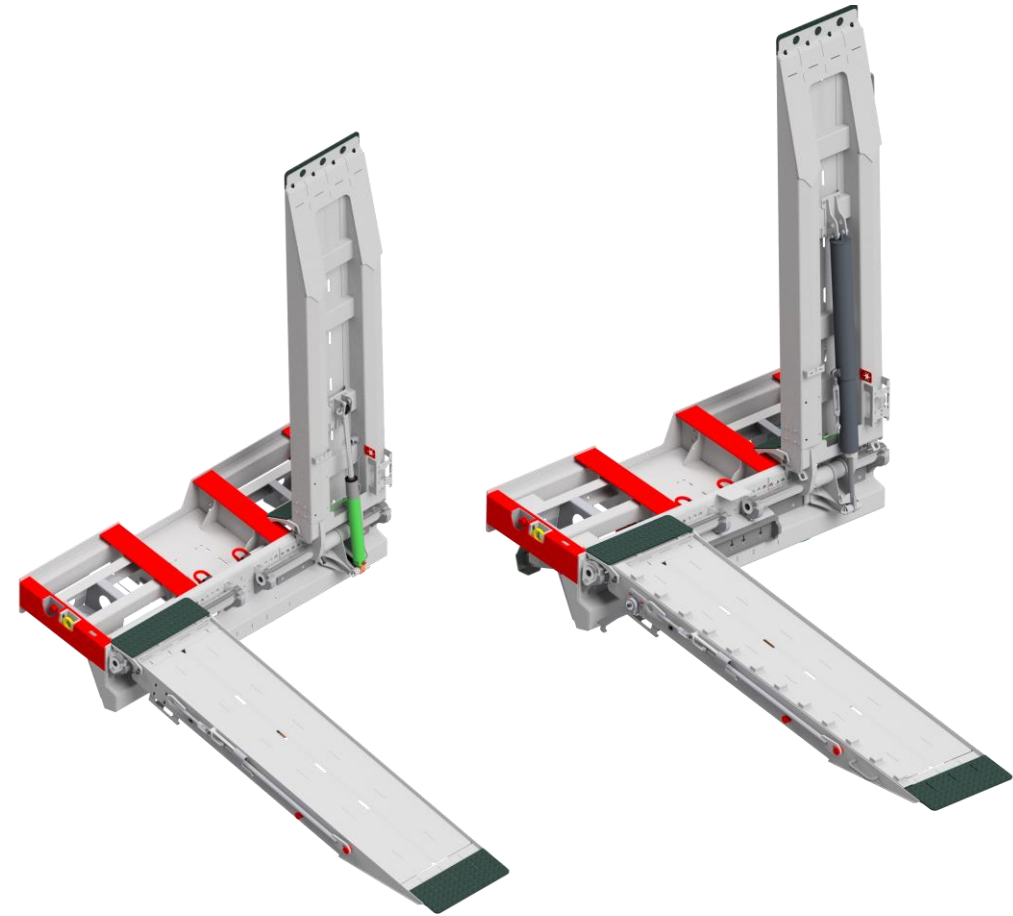


Ramp range:

Ramp types selectable to smart-line

One-piece ramps:

- Hydraulic or mechanical spring, can be moved sideways
- Ramp length: 3,000 mm
- Ramp widths: 700 mm / 900 mm / 1,100 mm
- optionally with climbing ribs
- Floor covering: Hardwood
- Rubber-metal pads Light grid
- Ramp angles: 12 - 14°

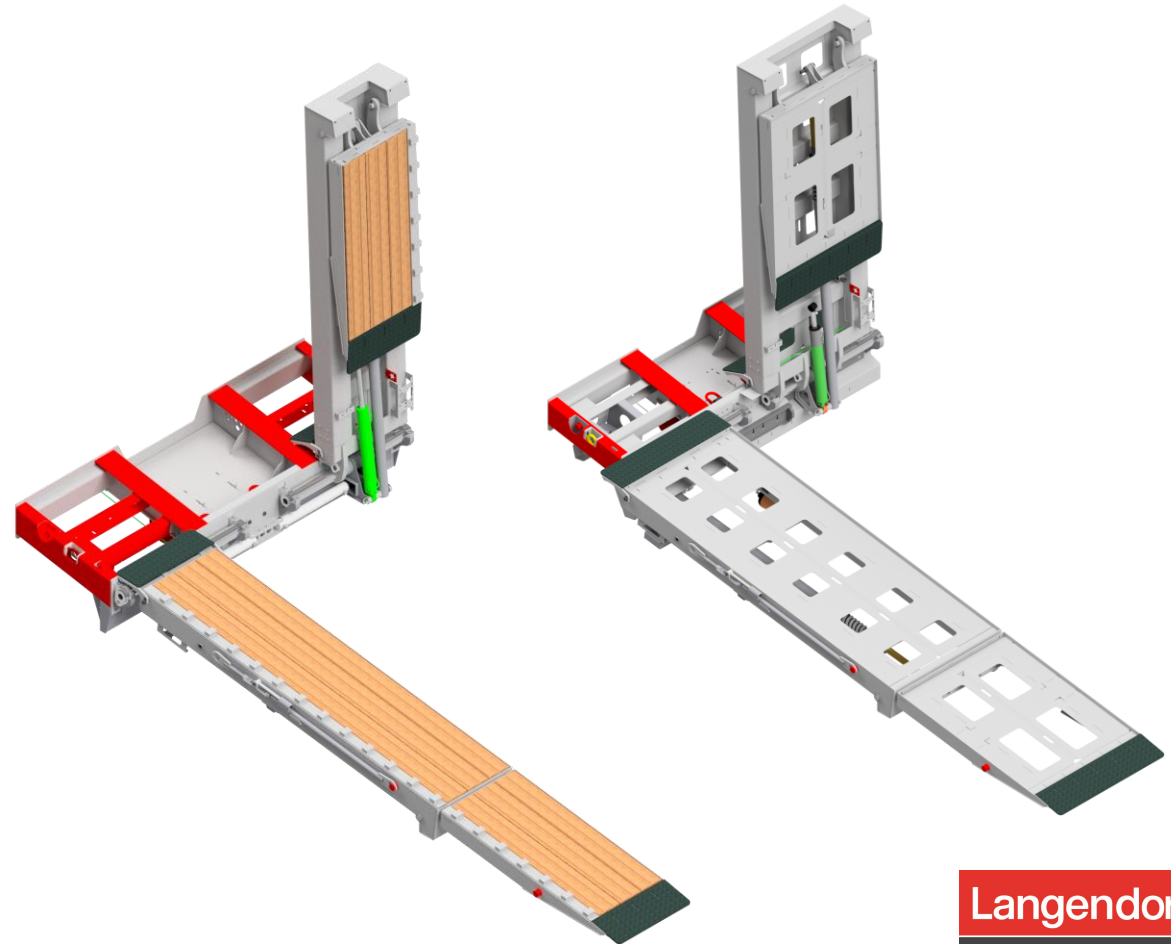


Ramp range:

Ramp types selectable to smart-line

Hydraulic spreading ramps:

- Ramp length:
2,950 mm + 1,700 mm
- Ramp widths:
700 mm / 900 mm / 1,100 mm
- optionally with climbing ribs
- Floor covering:
Hardwood Rubber-metal
pads Light grid
- Ramp angles: 7 - 9°

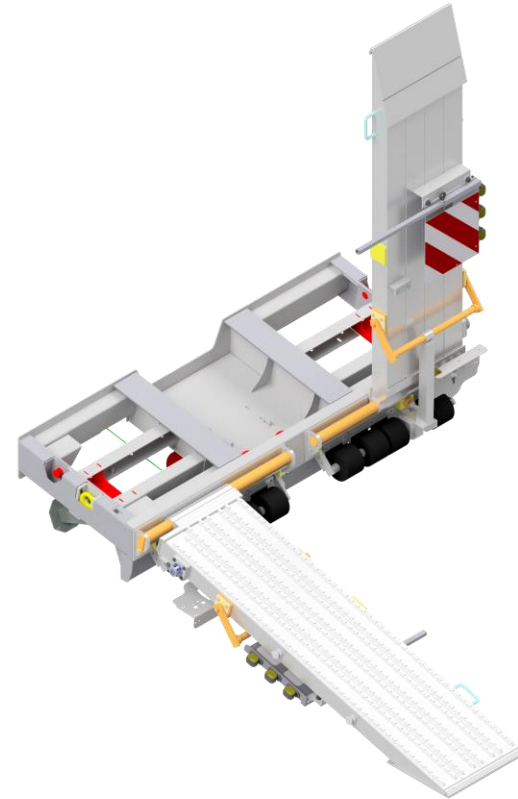


Ramp range:

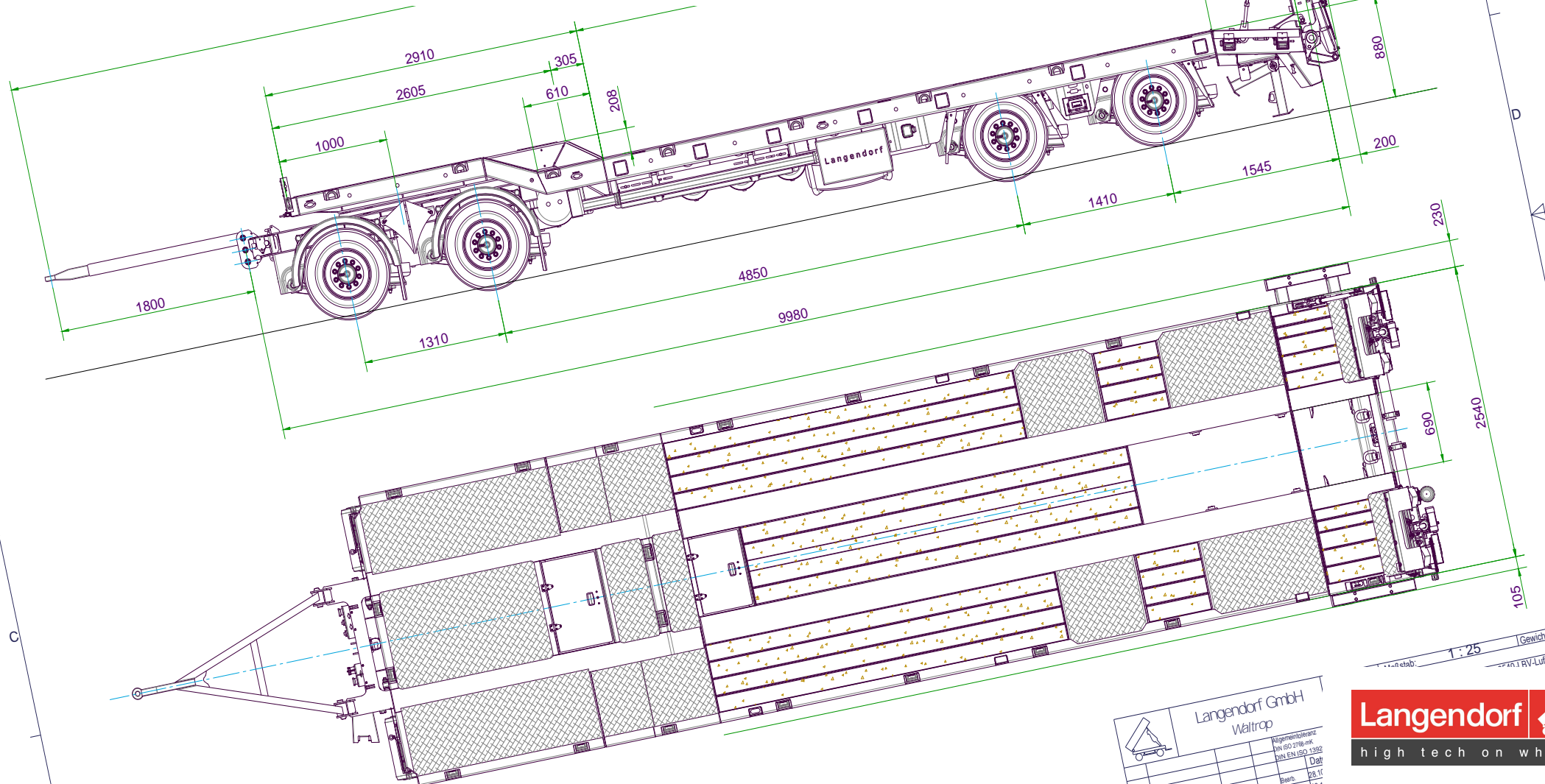
Ramp types selectable to smart-line

Aluminium ramps:

- Ramp length:
2,425 mm
- Ramp widths:
600 mm
- Ramp angles: 14 - 16°
- also available as a two-part ramp



Overview / "under construction" TÜ 40



Langendorf GmbH
Wälztröp

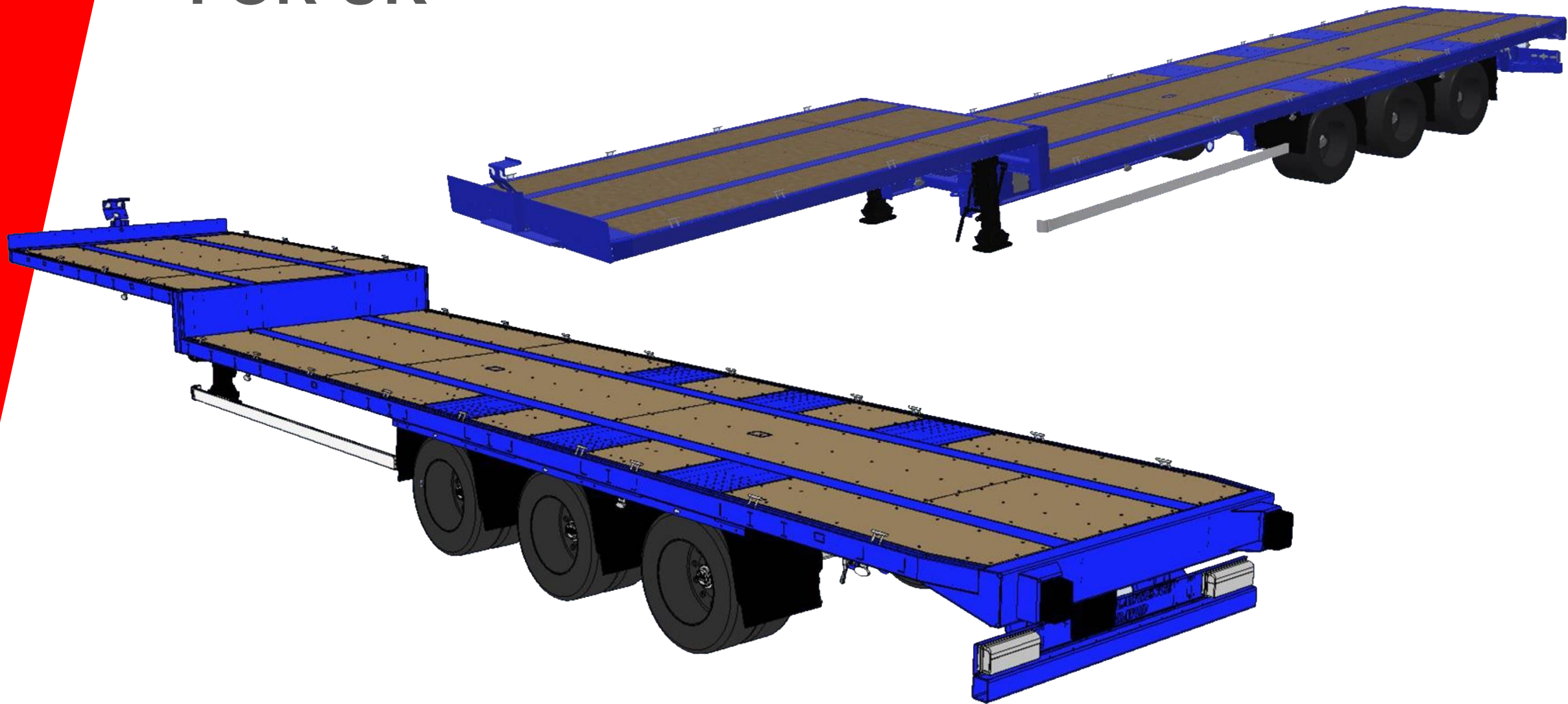
Abgemessen nach	DN ISO 278-04	Datei
	DN EN ISO 1302	
Reibh.	28.17	
Stap./Freig.	28.7	

Langendorf 
high tech on wheels

1:25 | Gewicht: |
AV-Luftfederung

1050-0094-0011

Special chassis **FOR UK**



Do you require **FURTHER INFORMATION?**

Please don't hesitate to get in touch with us:

Lennert Neugebauer

Corporate Communications

Phone +49 2309 938240

l.neugebauer@langendorf.de

Julia Bergter

Corporate Communications

Phone +49 2309 938135

j.bergter@langendorf.de